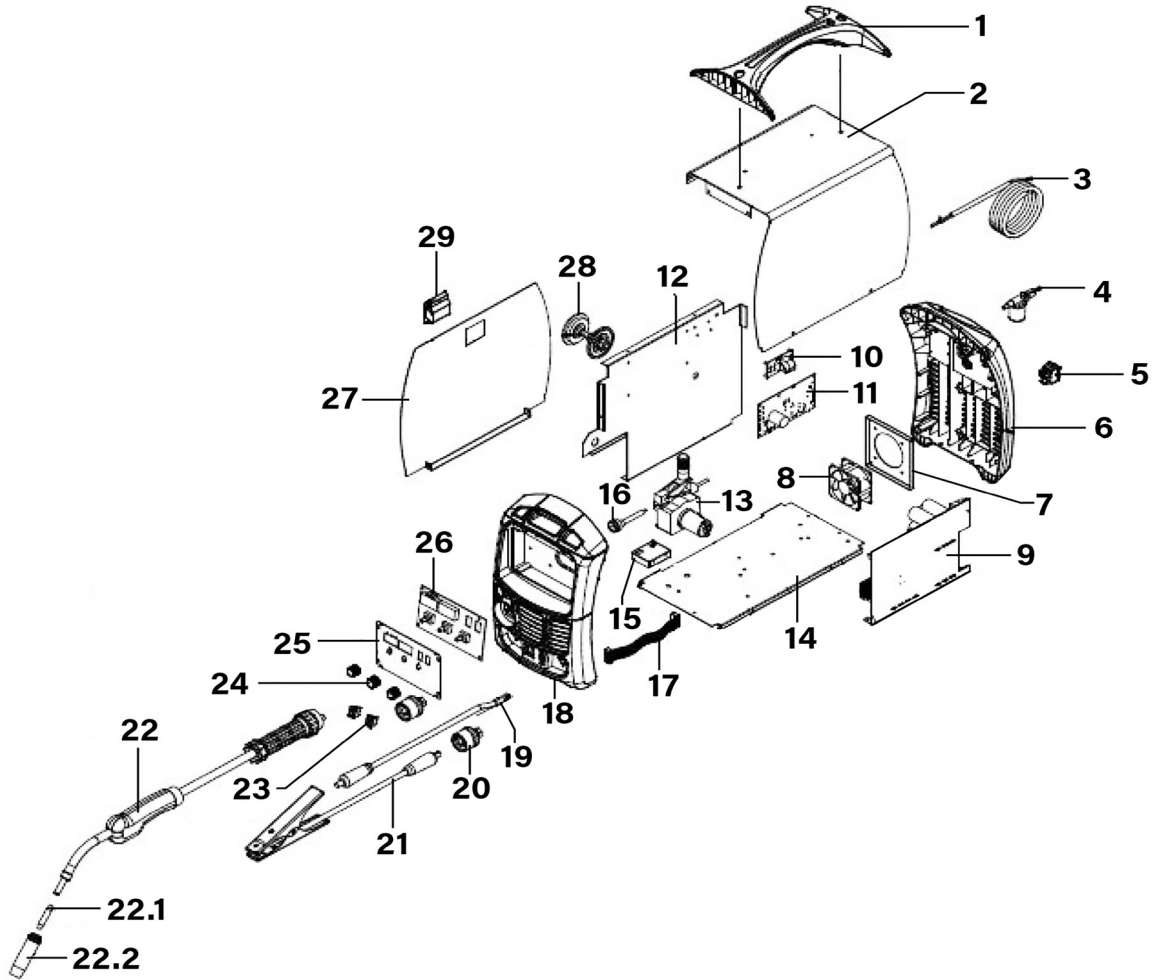




Parts Information:  
**Premier MIG, TIG & MMA Inverter Welder  
 200A**  
**Model No: INVMIG200.V3**



| Item | Part No.      | Description         |
|------|---------------|---------------------|
| 1    | HU20050080086 | Top Handle          |
| 2    | HU11010010725 | Side Cover          |
| 3    | HU11120260039 | Power Cable         |
| 4    | HU12070020009 | Solenoid Valve      |
| 5    | HU20070800288 | Rocker Switch       |
| 6    | HU20050050197 | Back Panel          |
| 7    | HU20050051147 | Fan Support         |
| 8    | HU20070890227 | Fan                 |
| 9    | HU11050020828 | Main Control Board  |
| 10   | HU11050110512 | EMC Board           |
| 11   | HU11050020838 | Control Board       |
| 12   | HU11010050553 | Middle Panel        |
| 13   | HU20070400404 | Wire Feeder         |
| 14   | HU11010042165 | Bottom Panel        |
| 15   | HU20300030019 | Wire Feeder Support |
| 16   | HU12070020250 | Torch Socket        |

| Item | Part No.      | Description                   |
|------|---------------|-------------------------------|
| 17   | HU20030303024 | Connection Cable              |
| 18   | HU20050050288 | Front Panel                   |
| 19   | HU12070030101 | Conversion Cable              |
| 20   | HU20070570196 | Quick Socket (Euro)           |
| 21   | HU12080020958 | Earth Clamp (c/w Cable)       |
| 22   | HU20200010282 | Mig Torch                     |
| 22.1 | INVMIG200V220 | Contact Tip                   |
| 22.2 | MIG955        | Conical Nozzle MB15 Pack of 3 |
| 23   | HU20030304694 | Rocker Switch                 |
| 24   | HU20070110017 | Potentiometer Knob            |
| 25   | HU11010060825 | Front Support Panel           |
| 26   | HU11050070930 | Front Panel Control PCB       |
| 27   | HU11010020907 | Side Panel                    |
| 28   | SMIG150.V3-37 | Spool Holder                  |
| 29   | HU20050050270 | Door Latch                    |

**NOTE:** It is our policy to continually improve products and as such we reserve the right to alter data, specifications and component parts without prior notice. There may be alternative versions of this product, please contact us should you require this information.

**IMPORTANT:** No liability is accepted for incorrect use of product. Spare parts must be fitted by a competent person

**WARRANTY:** Guarantee is 12 months from purchase date, proof of which will be required for any claim.

Sealey Group, Kempson Way, Suffolk Business Park, Bury St Edmunds, Suffolk. IP32 7AR



01284 757500



sales@sealey.co.uk



www.sealey.co.uk